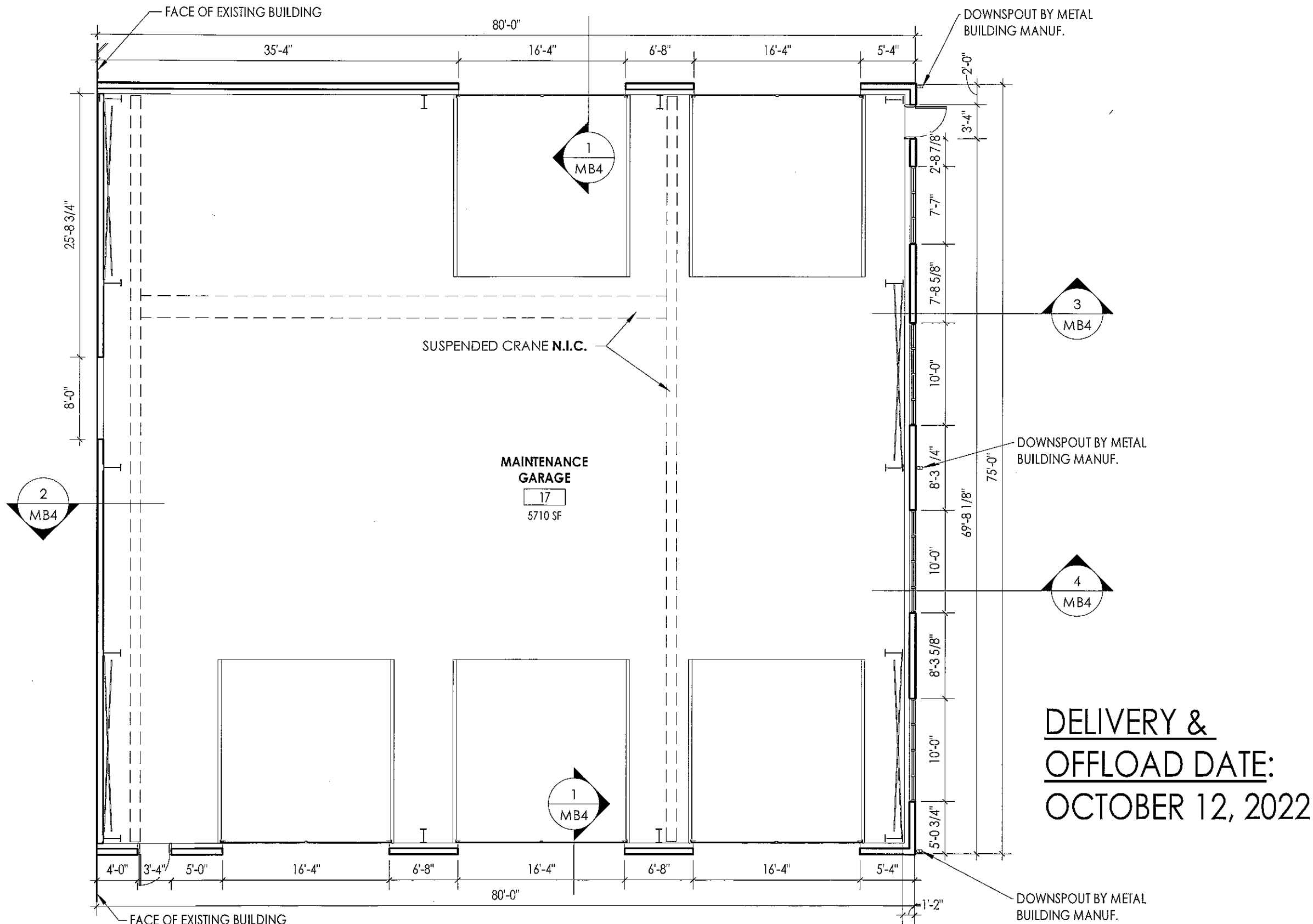
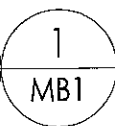


NOTE: ALL DIMENSIONS ON EXTERIOR OF BUILDING ARE TO BACK OF METAL PANEL/FACE OF GIRT



S:\Projects\Jamestown_C\New VMF\Design\06 CAD\Revit\Central

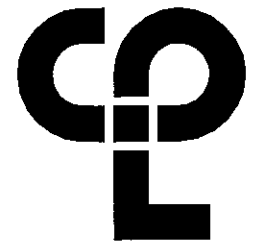
3/1/2022 10:52:04 AM



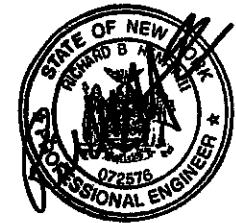
FLOOR PLAN

1" = 10'-0"

**DELIVERY &
OFFLOAD DATE:
OCTOBER 12, 2022**



CPL | Architecture Engineering Planning
1279 North Main Street
Jamestown, NY 14701
CPLteam.com



PROJECT INFORMATION

Project Number
15530.00
Client Name
**CITY OF JAMESTOWN -
DEPARTMENT OF PUBLIC WORKS**
Project Name
**NEW VEHICLE MAINTENANCE
FACILITY**

Project Address
1425 - 1505 WASHINGTON STREET
JAMESTOWN, NEW YORK 14701

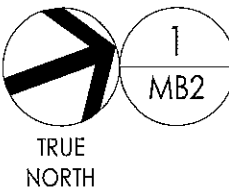
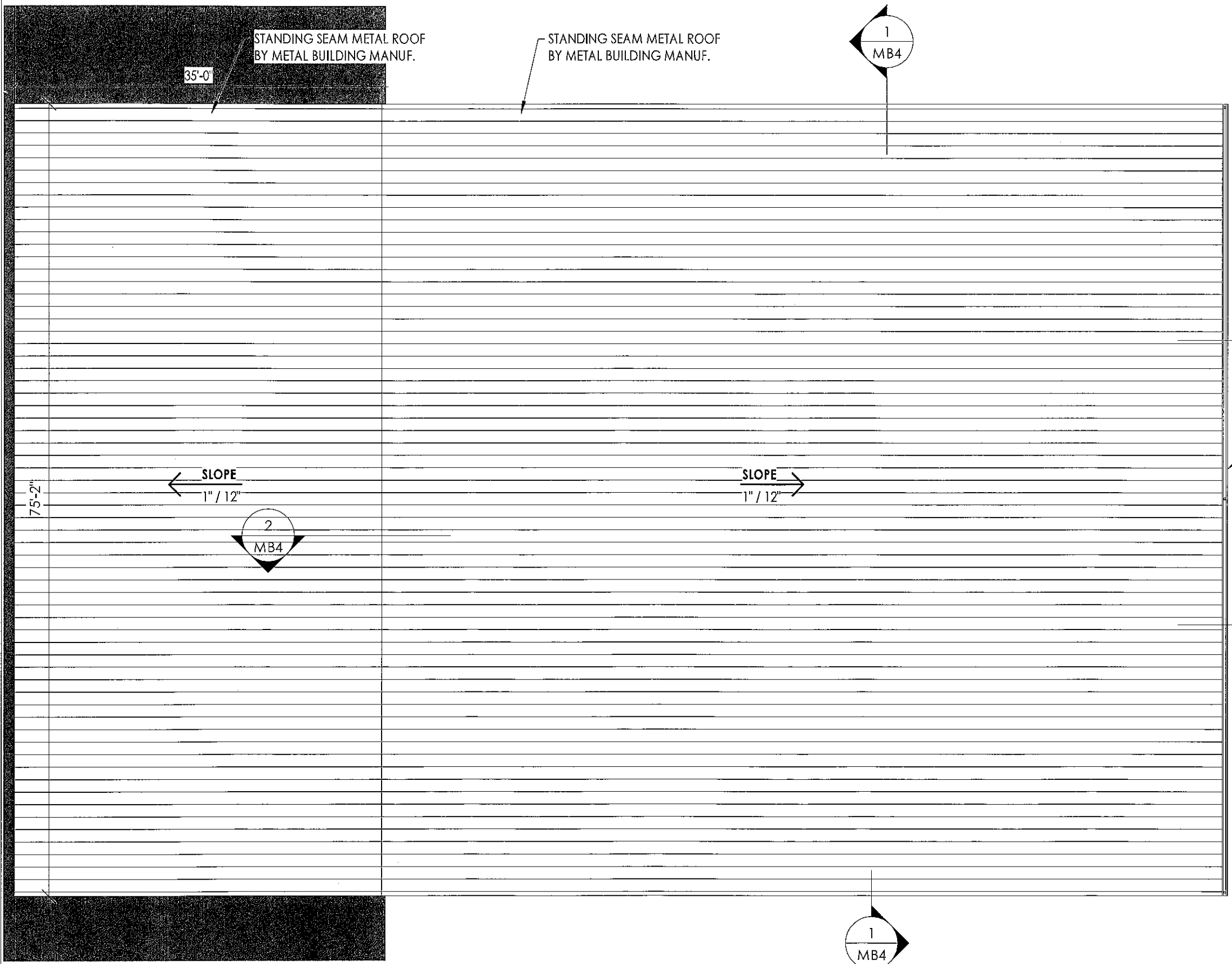
SHEET INFORMATION

Issued	Scale
03/01/22	1" = 10'-0"
Project Status	
DESIGN DEVELOPMENT	
Drawn By	Checked By
Author	Checker
Drawing Title	
FLOOR PLAN	

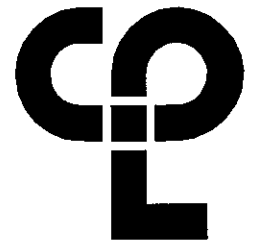
Drawing Number

MB1

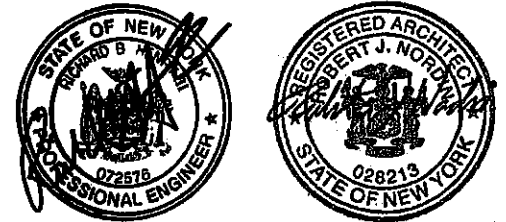
S:\Projects\Jamestown_C\New VMF\Design\06 CAD\Revit\Central 3/2/2022 10:58:13 AM



ROOF PLAN - 11x17
1" = 10'-0"



CPL | Architecture Engineering Planning
1279 North Main Street
Jamestown, NY 14701
CPLteam.com



PROJECT INFORMATION

Project Number
15530.00
Client Name
CITY OF JAMESTOWN - DEPARTMENT OF PUBLIC WORKS
Project Name
NEW VEHICLE MAINTENANCE FACILITY

Project Address
1425 - 1505 WASHINGTON STREET
JAMESTOWN, NEW YORK 14701

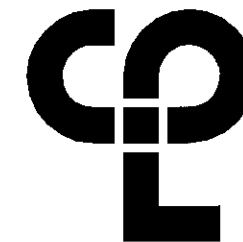
SHEET INFORMATION

Issued 03/01/22 Scale 1" = 10'-0"
Project Status DESIGN DEVELOPMENT
Drawn By Author Checked By Checker

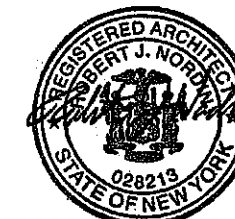
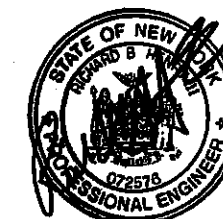
Drawing Title
ROOF PLAN

Drawing Number

MB2



CPL | Architecture Engineering Planning
 1279 North Main Street
 Jamestown, NY 14701
 CPLteam.com



PROJECT INFORMATION

Project Number
15530.00
 Client Name
**CITY OF JAMESTOWN -
 DEPARTMENT OF PUBLIC WORKS**
 Project Name
**NEW VEHICLE MAINTENANCE
 FACILITY**

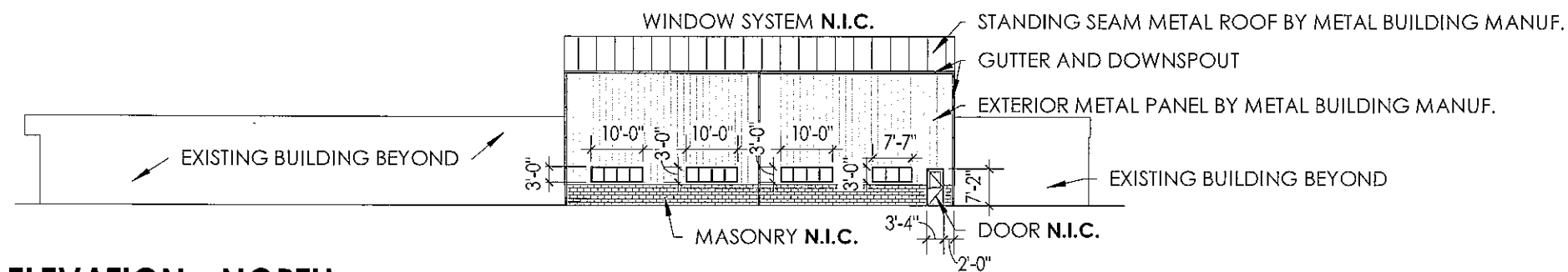
Project Address
1425 - 1505 WASHINGTON STREET
 JAMESTOWN, NEW YORK 14701

SHEET INFORMATION

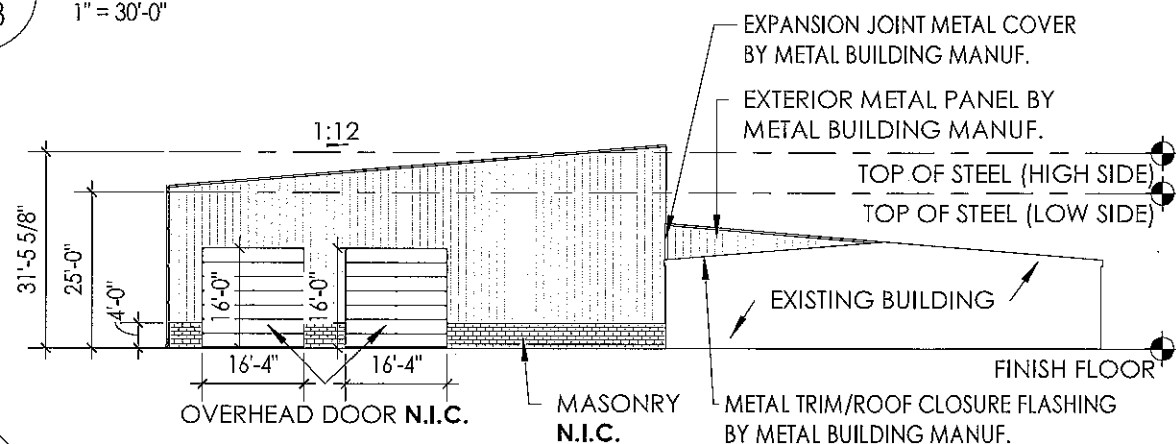
Issued 03/01/22 Scale 1" = 30'-0"
 Project Status DESIGN DEVELOPMENT
 Drawn By Author Checked By Checker
 Drawing Title
BUILDING ELEVATIONS

Drawing Number

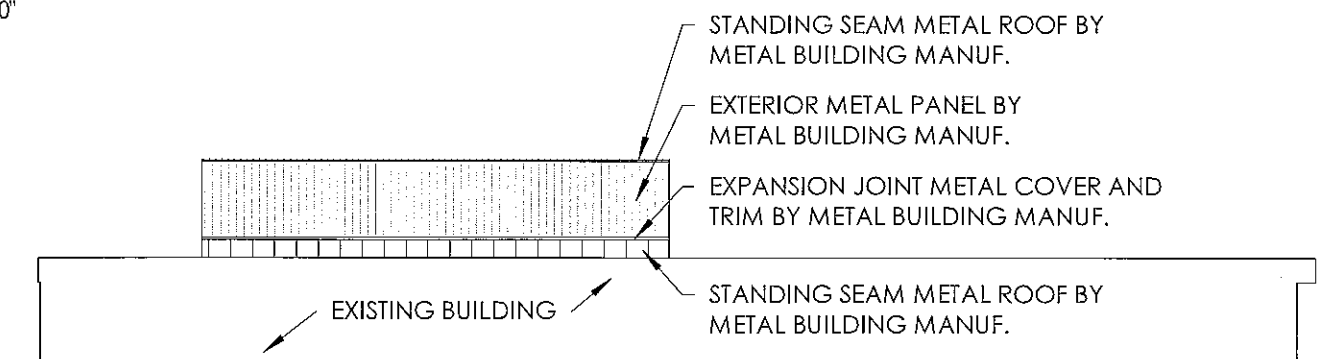
MB3



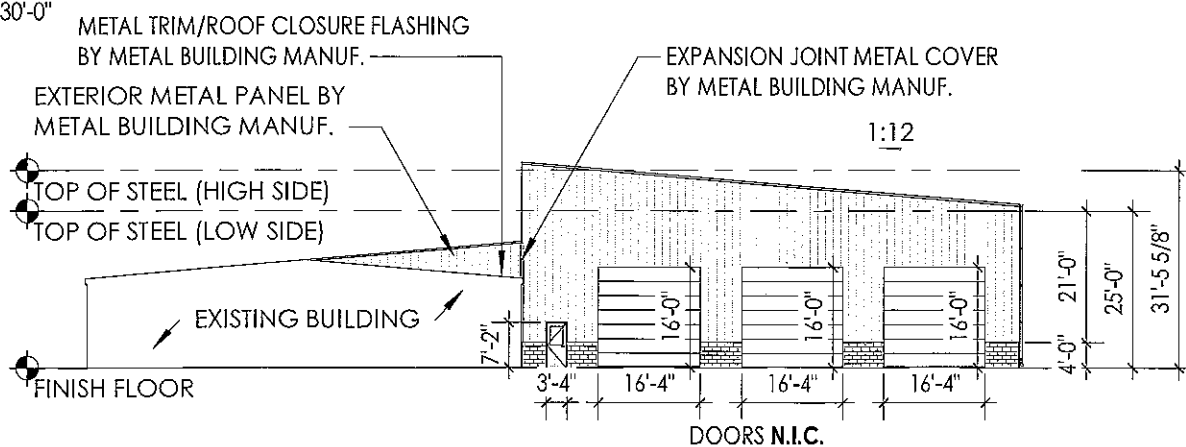
2
 MB3
ELEVATION - NORTH
 1" = 30'-0"



3
 MB3
ELEVATION - WEST
 1" = 30'-0"

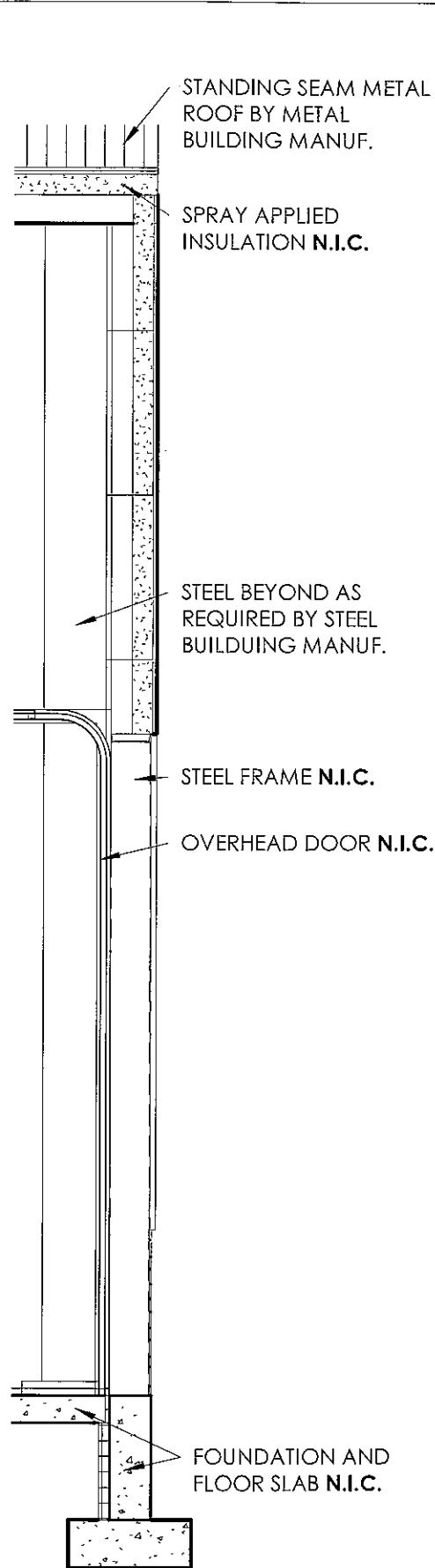


4
 MB3
ELEVATION - SOUTH
 1" = 30'-0"

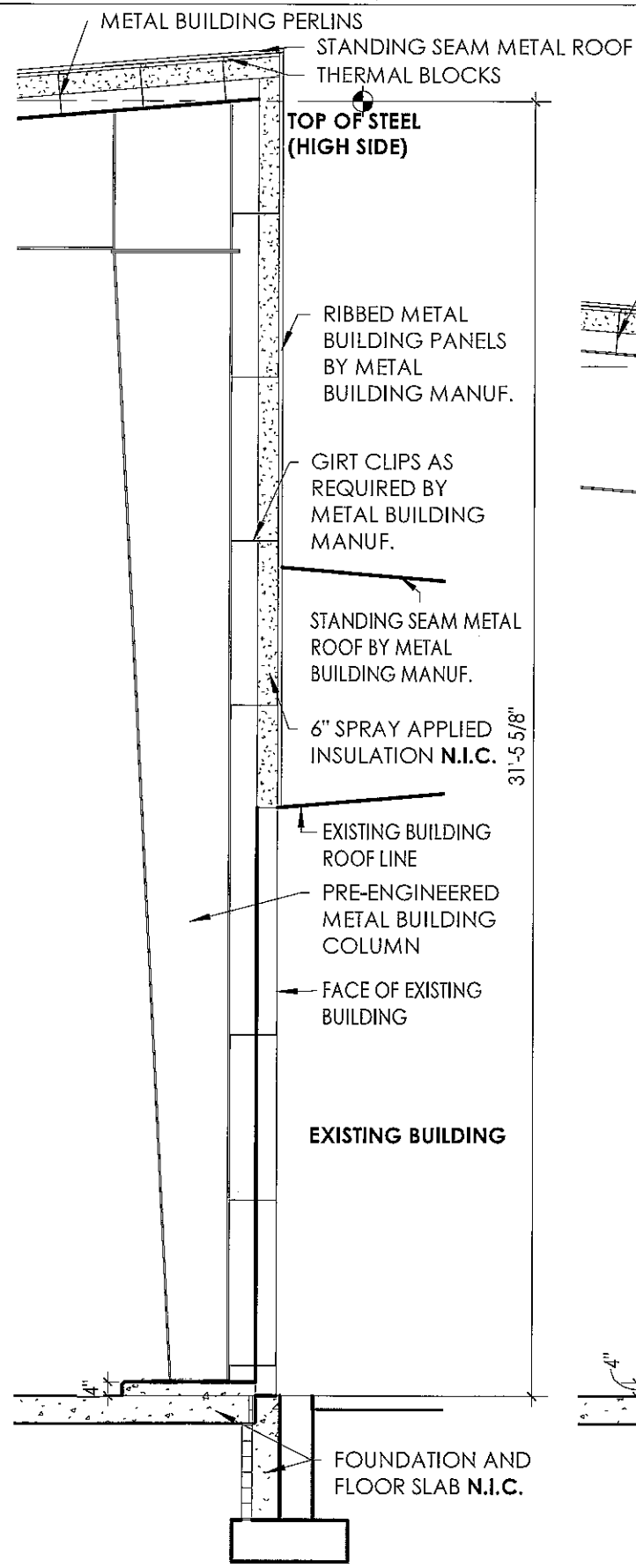


1
 MB3
ELEVATION - EAST
 1" = 30'-0"

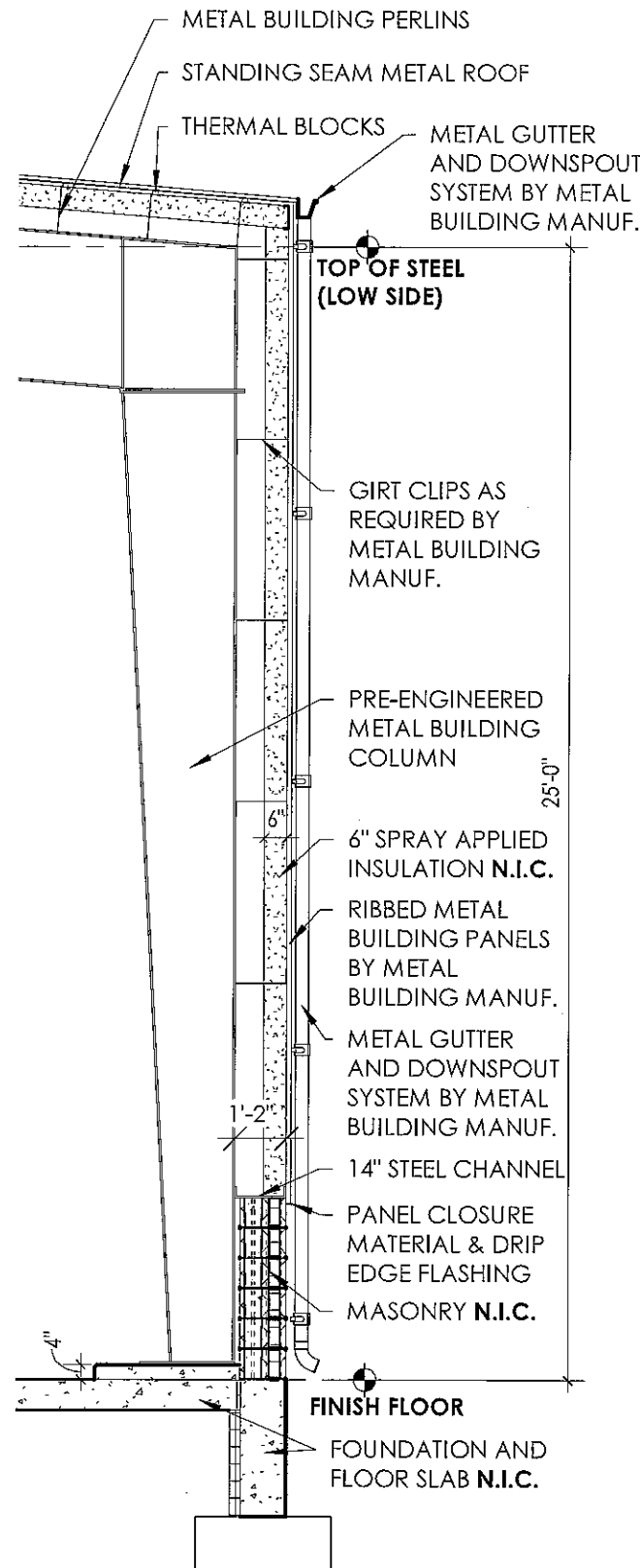
S:\Projects\Jamestown_C\New VMFD Design\06 CAD\Revit\Central 3/2/2022 10:58:16 AM



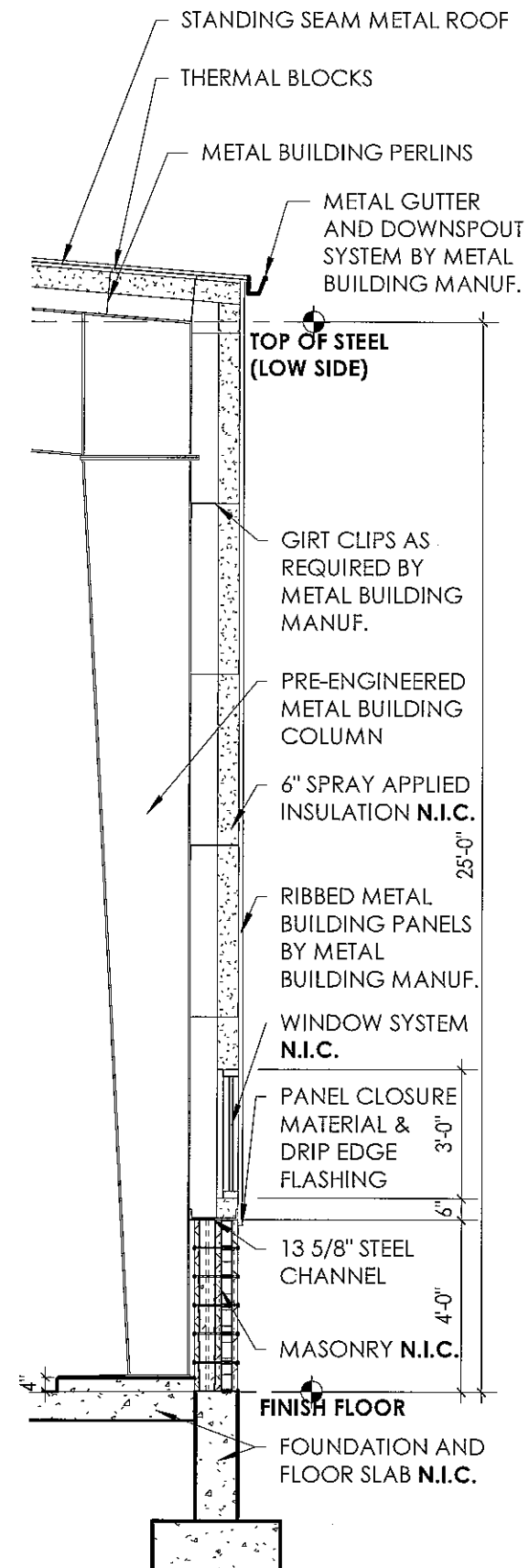
1 SECTION
MB4 1/4" = 1'-0"



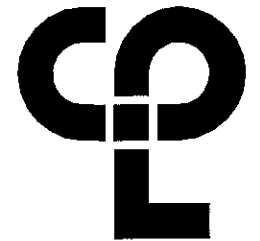
2 SECTION
MB4 1/4" = 1'-0"



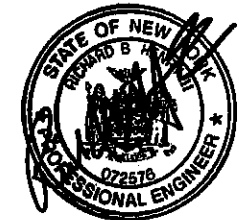
3 SECTION
MB4 1/4" = 1'-0"



4 SECTION
MB4 1/4" = 1'-0"



CPL | Architecture Engineering Planning
1279 North Main Street
Jamestown, NY 14701
CPLteam.com



PROJECT INFORMATION

Project Number
15530.00
Client Name
CITY OF JAMESTOWN - DEPARTMENT OF PUBLIC WORKS
Project Name
NEW VEHICLE MAINTENANCE FACILITY

Project Address
1425 - 1505 WASHINGTON STREET
JAMESTOWN, NEW YORK 14701

SHEET INFORMATION

Issued 03/01/22 Scale 1/4" = 1'-0"
Project Status DESIGN DEVELOPMENT
Drawn By Author Checked By Checker
Drawing Title WALL SECTIONS

Drawing Number

MB4